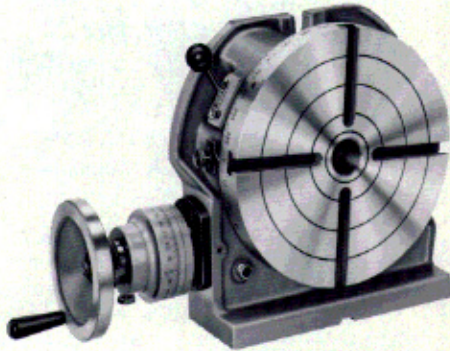
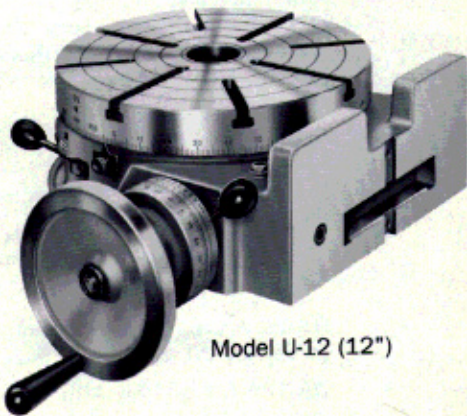


Troyke

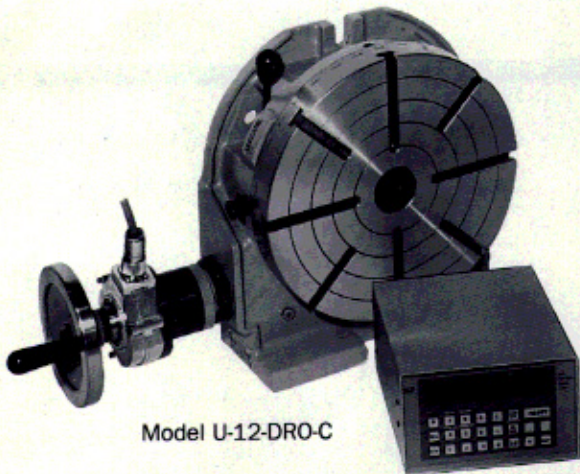
STANDARD PRECISION HORIZONTAL-VERTICAL ROTARY TABLES 9"-12"-15"-18"



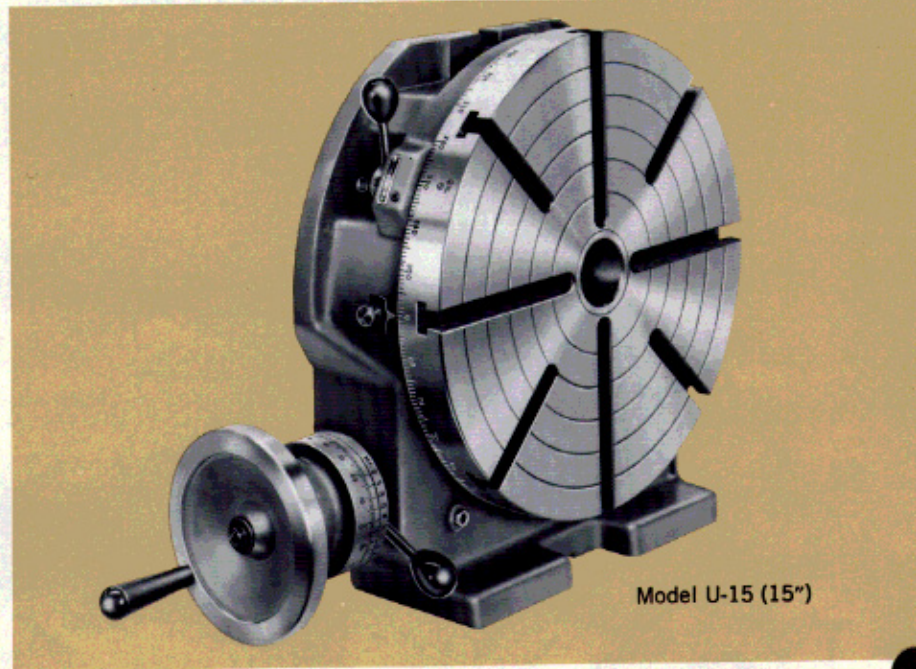
Model U-9 (9")



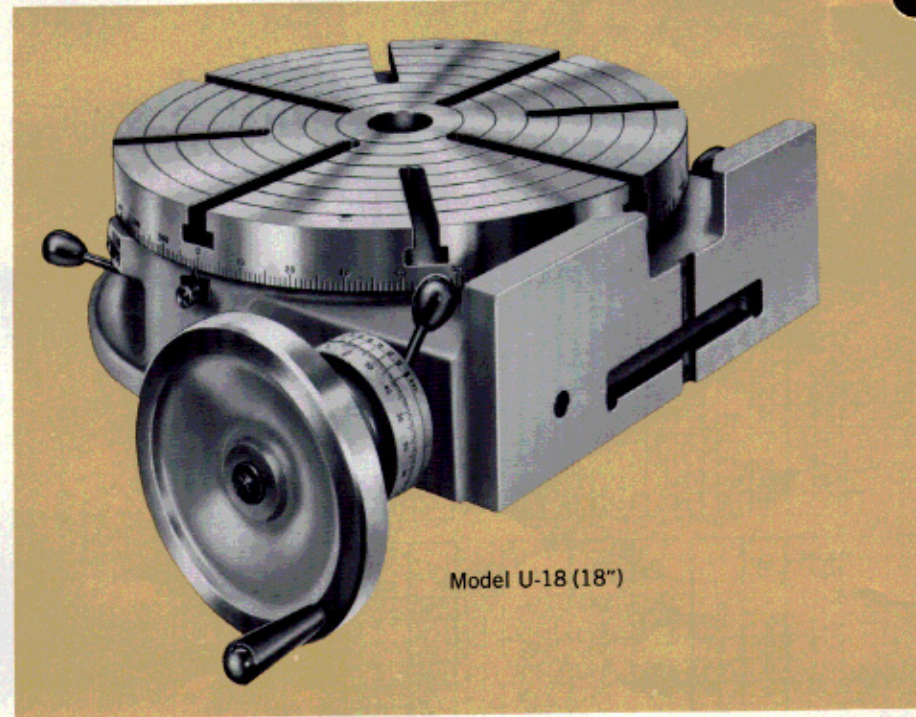
Model U-12 (12")



Model U-12-DRO-C



Model U-15 (15")



Model U-18 (18")

DIGITAL READOUT OPTIONS

DRO-C C-tek Readout

DRO-H Heidenhain Readout

FOR TABLE DESIGN FEATURES, SEE PAGES 3 AND 4

DIMENSIONAL SPECIFICATIONS AT RIGHT

HEAVY DUTY PRECISION HORIZONTAL-VERTICAL ROTARY TABLES SHOWN ON PAGE 7.