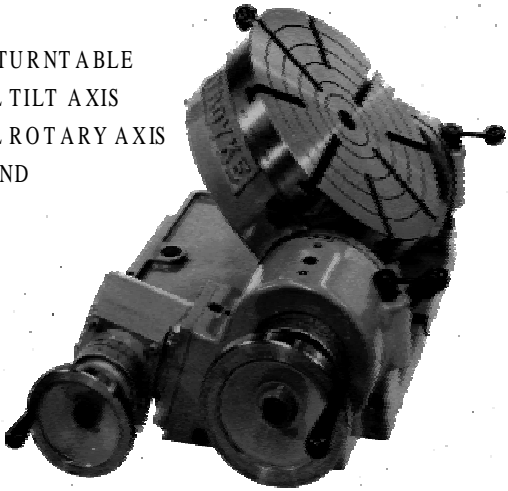


TIL- SERIES

LOW PROFILE – LIGHT DUTY TILTING ROTARY TABLES

TIL-12-A
12" DIA. TURNTABLE
MANUAL TILT AXIS
MANUAL ROTARY AXIS
LEFT HAND



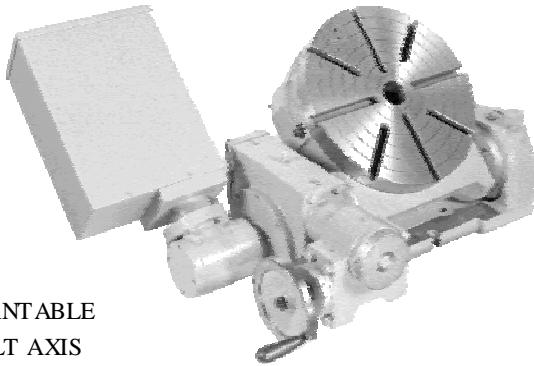
THREE CONFIGURATIONS:

- A. MANUAL TILT, MANUAL ROTARY
- B. MANUAL TILT, NC ROTARY
- C. NC TILT, NC ROTARY

STANDARD FEATURES:

- LOW PROFILE DESIGN
- TIN-BRONZE WORMWHEEL MESHING WITH A HARDENED AND GROUND STEEL-ALLOY WORMS HAFT RUNNING IN A BATH OF OIL OR GREASE
- HIGH PRECISION SPINDLE BEARINGS
- TURCITE BEARING SURFACES
- INTERNAL PNEUMATIC AND / OR HYDRAULIC BRAKE
- PRECISION GROUND SURFACES
- ZERO RETURN / HOME SWITCHES ON ROTARY AXIS
- +/- OVERTRAVEL LIMIT SWITCHES ON TILT AXIS
- MS CABLE RECEPTACLES

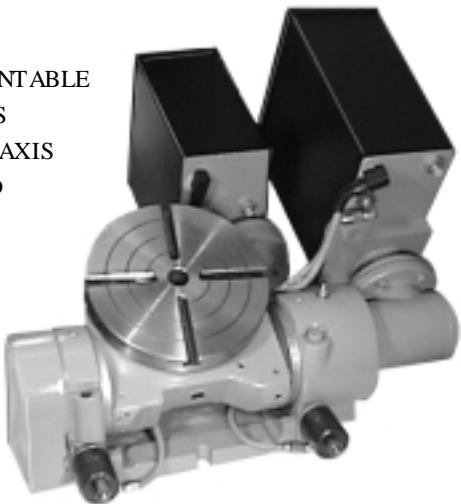
TIL-15-B
15" DIA. TURNTABLE
MANUAL TILT AXIS
NC ROTARY AXIS
LEFT HAND



CUSTOM SPECIFIED FEATURES:

- CONFIGURATION A, B OR C
- RH OR LH MOTOR OR HANDWHEEL MOUNT
- DIRECT SPINDLE POSITION FEEDBACK

TIL-12-C
12" DIA. TURNTABLE
NC TILT AXIS
NC ROTARY AXIS
RIGHT HAND



OPTIONAL FEATURES:

- TAILSTOCKS (FOR USE WITH TABLE IN VERTICAL POSITION)
- CHUCKS - MANUAL OR PNEUMATIC
- COLLET FIXTURES - MANUAL OR PNEUMATIC
- SINGLE AXIS PROGRAMMABLE CONTROL
- CABLES - FOR INTERFACING TO MACHINE TOOL
- AIR OVER HYDRAULIC UNIT (AHU)

TIL - SERIES

| SPECIFICATIONS - ROTARY AXIS | | | | | |
|-------------------------------------|--------------|---------------|----------------|---------------|---------------|
| MODEL | TIL-9 | TIL-12 | TIL-15 | TIL-20 | TIL-25 |
| TURNTABLE DIAMETER [MM] | 9.00 [228] | 12.00 [304] | 15.00 [381] | 20.00 [508] | 25.00 [635] |
| STANDARD THRU HOLE DIA [MM] | 1.000 [25.4] | 2.000 [50.8] | 2.000 [50.8] | 2.000 [50.8] | 2.000 [50.8] |
| MAXIMUM LOAD CAPACITY [KG] | 75 [34] | 150 [68] | 200 [91] | 300 [136] | 500 [227] |
| FACEPLATE T-SLOT WIDTH [MM] | .47 [12] X 4 | .47 [12] X 8 | .56 [14.2] X 8 | 56 [14.2] X 8 | 56 [14.2] X 8 |
| STANDARD TOTAL GEAR RATIO | 180:1 | 180:1 | 180:1 | 180:1 | 180:1 |
| MAX. SPEED RANGE (STD RATIO) | 0-10 RPM | 0-10 RPM | 0-10 RPM | 0-10 RPM | 0-10 RPM |
| CONTINUOUS TORQUE LBS-FT[NM] | 187 [254] | 375 [508] | 375 [508] | 750 [1017] | 750 [1017] |
| BRAKE METHOD | PNEUMATIC | PNEUMATIC | PNEUMATIC | PNEUMATIC | PNEUMATIC |
| BRAKE TORQUE LBS-FT [NM] | 125 [169] | 345 [468] | 345 [468] | 800 [1085] | 800 [1085] |
| PROGRAMMABLE RESOLUTION | .001 DEG. | .001 DEG. | .001 DEG. | .001 DEG. | .001 DEG. |
| STD. TOTAL ANGULAR ACCURACY | +/-30 SEC. | +/-30 SEC. | +/-30 SEC. | +/-30 SEC. | +/-30 SEC. |
| STD. REPEATABILITY | +/-10 SEC. | +/-10 SEC. | +/-10 SEC. | +/-10 SEC. | +/-10 SEC. |

| SPECIFICATIONS - TILT AXIS | | | | | |
|---|---------------|----------------|----------------|----------------|----------------|
| MODEL | TIL-9 | TIL-12 | TIL-15 | TIL-20 | TIL-25 |
| STANDARD TOTAL GEAR RATIO | 180:1 | 180:1 | 270:1 | 720:1 | 720:1 |
| MAX. SPEED RANGE (STD RATIO) | 0-1 RPM | 0-1 RPM | 0-1 RPM | 0-1 RPM | 0-1 RPM |
| BRAKE METHOD | MANUAL | MANUAL | PNEUMATIC | MANUAL | MANUAL |
| BRAKE TORQUE @ 100 PSI LBS-FT [NM] | 125 [169] | 125 [169] | 200 [270] | 200 [270] | 200 [270] |
| MAXIMUM TILT AXIS TRAVEL | -5 / +95 DEG | -5 / +95 DEG | -5 / +195DEG | -5 / +110 DEG | -5 / +110 DEG |
| CENTER HEIGHT @ 90 DEG POSITION | 7.687 [195.2] | 10.031 [254.7] | 10.437 [265.1] | 12.468 [316.6] | 13.500 [342.9] |
| TURNTABLE HEIGHT @ 0 DEG POSITION | 6.75 [171] | 8.00 [203] | 7.56 [242] | 8.38 [212] | 10.38 [263] |
| STD. TOTAL ANGULAR ACCURACY | +/-60 SEC. | +/-60 SEC. | +/-60 SEC. | +/-60 SEC. | +/-60 SEC. |
| STD. REPEATABILITY | +/-10 SEC. | +/-10 SEC. | +/-10 SEC. | +/-10 SEC. | +/-10 SEC. |

TROYKE MFG. CO. - CINCINNATI, OH PHONE - 01.513.769.4242 FAX - 01.513.769.6362 WEB SITE - TROYKE.COM