

TS & PTS SERIES



**TS-SERIES
MANUAL TAILSTOCK
SIZES: 6.5,9,12,15,20 & 25**



**PTS-SERIES
PNEUMATIC TAILSTOCK
SIZES: 6.5,9,12,15,20 & 25**

STANDARD FEATURES:

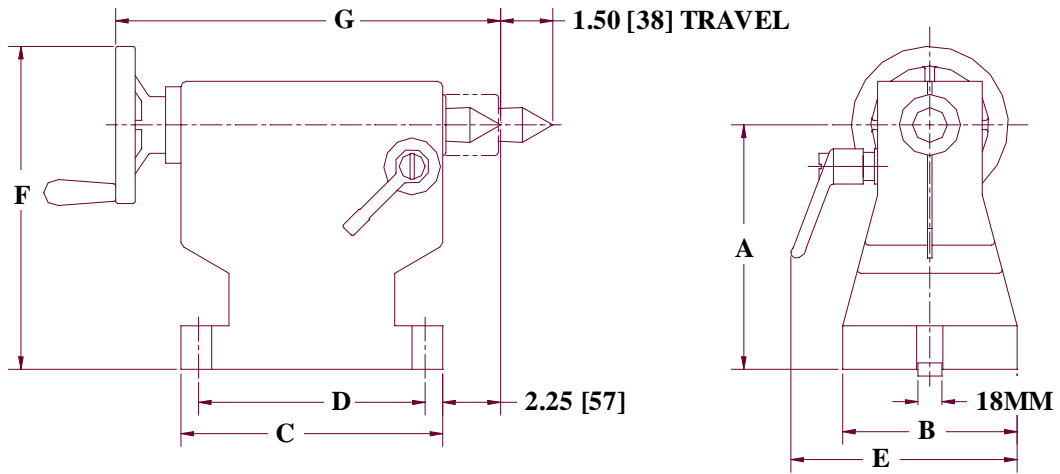
- REMOVABLE DEAD CENTER
- #3 MORSE TAPER ON MODELS TS-6.5,9,10,12 AND 15
- #5 MORSE TAPER ON MODELS TS-20,25,30,36 AND 42
- LEFT HAND OR RIGHT HAND LOCKING HANDLE POSITION
- 4 WAY - 2 POSITION PNEUMATIC VALVE (PTS- MODEL ONLY)
- SPINDLE OILERS ON ALL MODELS

OPTIONAL OUTBOARD SUPPORTS:

- HOS-SERIES (HYDRAULIC BRAKING OUTBOARD SUPPORT)
- POS-SERIES (PNEUMATIC BRAKING OUTBOARD SUPPORT)
- OS-SERIES (PLAIN BEARING OUTBOARD SUPPORT)
- FR-SERIES (FREE ROTATING ROTARY TABLE)

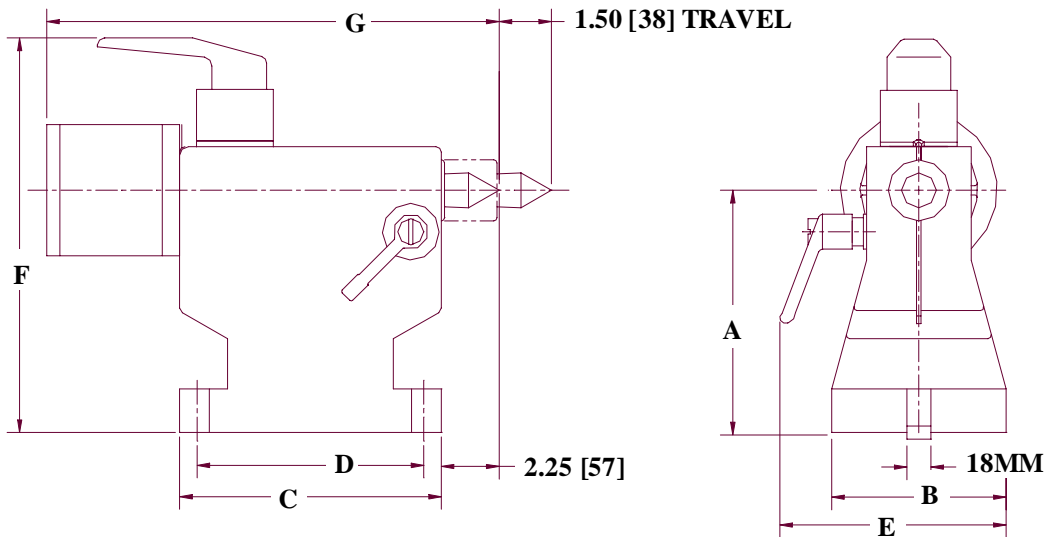
TAILSTOCK

TS-10 SHOWN WITH
LEFT HAND
LOCK HANDLE



MODEL	A	B	C	D	E	F	G
TS-6.5	5188 [130.0]	4.50 [114]	6.31 [160]	5.12 [130]	6.50 [165]	7.38 [187]	11.63 [295]
TS-9	6.375 [161.9]	5.00 [127]	7.50 [191]	6.50 [165]	6.50 [165]	8.63 [219]	13.12 [333]
TS-10	7.000 [177.8]	5.00 [127]	7.50 [191]	6.50 [165]	6.50 [165]	9.25 [235]	13.12 [333]
TS-12	8.500 [215.9]	5.00 [127]	7.50 [191]	6.50 [165]	6.50 [165]	10.75 [273]	13.12 [333]
TS-15	10.000 [254.0]	5.00 [127]	7.50 [127]	6.50 [165]	6.50 [165]	13.25 [337]	13.12 [333]
TS-20	13.000 [330.0]	7.50 [191]	13.50 [343]	11.75 [298]	8.25 [210]	15.25 [387]	15.75 [400]
TS-25	15.750 [400.0]	7.50 [191]	13.50 [343]	11.75 [298]	8.25 [210]	18.00 [457]	15.75 [400]

PTS-10 SHOWN WITH
LEFT HAND
LOCK HANDLE



MODEL	A	B	C	D	E	F	G
PTS-6.5	5188 [130.0]	4.50 [114]	6.31 [160]	5.12 [130]	6.50 [165]	9.56 [243]	11.81 [300]
PTS-9	6.375 [161.9]	5.00 [127]	7.50 [191]	6.50 [165]	6.50 [165]	10.75 [273]	13.25 [337]
PTS-10	7.000 [177.8]	5.00 [127]	7.50 [191]	6.50 [165]	6.50 [165]	11.75 [298]	13.25 [337]
PTS-12	8.500 [215.9]	5.00 [127]	7.50 [191]	6.50 [165]	6.50 [165]	12.88 [327]	13.25 [337]
PTS-15	10.000 [254.0]	5.00 [127]	7.50 [127]	6.50 [165]	6.50 [165]	14.38 [365]	13.25 [337]
PTS-20	13.000 [330.0]	7.50 [191]	13.50 [343]	11.75 [298]	8.25 [210]	15.87 [405]	16.50 [419]
PTS-25	15.750 [400.0]	7.50 [191]	13.50 [343]	11.75 [298]	8.25 [210]	18.63 [473]	16.50 [419]