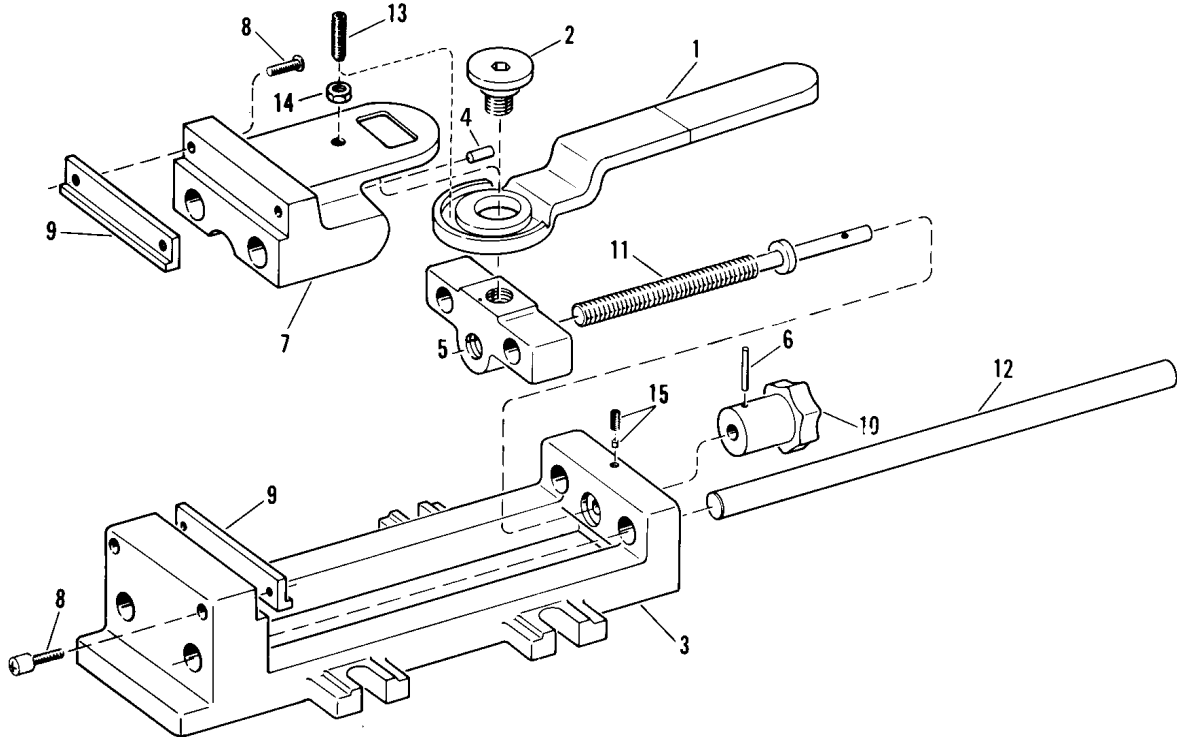


# CAMLOCK VISE **heinrich**



**MODEL 4-CL**

Index No.	Part Name	Part No.	Price
1	Handle Lever	4CL-1	\$32.37
2	Lever Shoulder Screw	4CL-2	5.89
3	Body Casting (Note 1)	4CL-3	--
4	Wear Plug	4CL-4	2.35
5	Cam Support Adjusting Nut	4CL-5	21.51
6	1/8 x 7/8 Rollpin	4CL-6	0.35
7	Jaw Casting	4CL-7	45.54
8	1/4-20 x 3/4 Screw (4 required)	30-3/4	0.54
9	Jaw Inserts, regular (set of 2)	419	7.39
9	Jaw Inserts, hardened (set of 2)	419H	10.47
10	Hand Knob	4CL-12	7.06
11	Center Adjusting Screw	4CL-13	16.48
12	Guide Bar (2 required)	4CL-14	4.93
13	1/4-20 x 3/4 Screw	4CL-15	2.07
14	1/4-20 Nut	4CL-16	0.30
15	1/4-28 x 1/2 Set Screw, with slug	4CL-19	0.47

**Note 1.** Price not shown, as replacement body casting is not available.

**WHEN ORDERING PARTS, INDICATE PART NUMBER, MODEL NUMBER AND PRICE.**

**MAINTENANCE:**

Locking lever may be removed as follows: Loosen lock nut (14) and remove set screw (13). Jaw casting (7) may then be moved to expose handle lever (1) for removal.

Clean and check each part for wear or damage. Replacement parts are available for immediate shipment from factory stock, or you may order through your local Heinrich distributor.