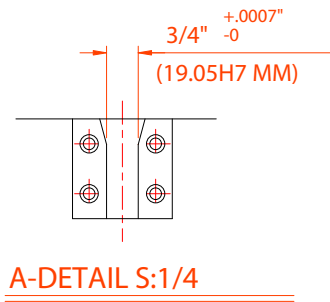
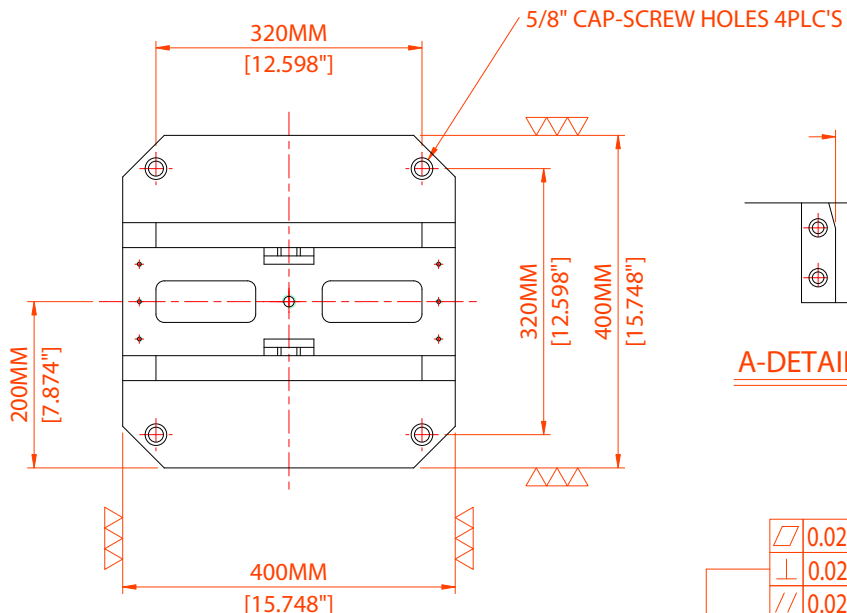


A

A

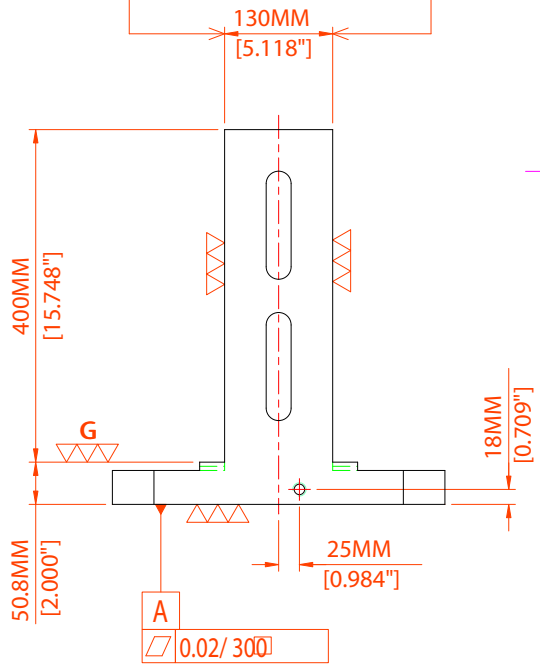
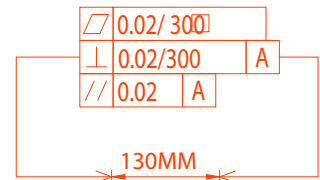
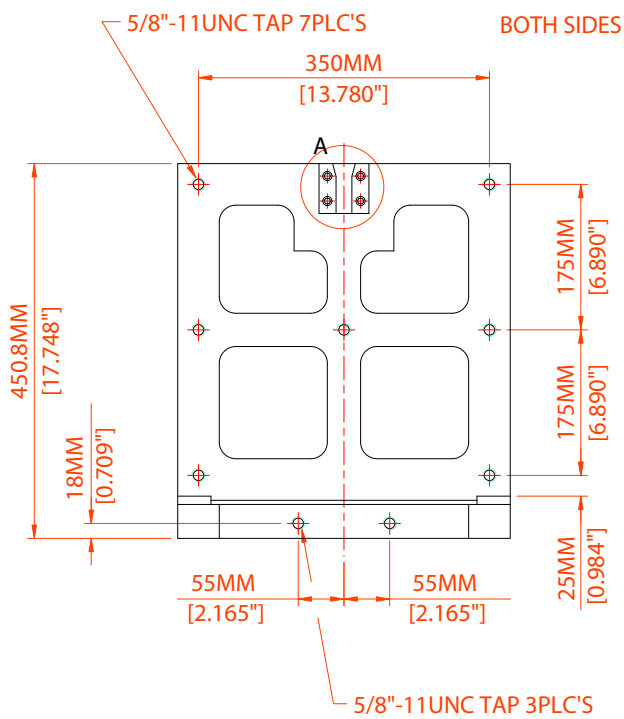


B

B

C

C



D

D

E

E

F

F

		FC30				
Designed by Hu-F.C.	Checked by	Approved by - date	File name	Date 92.09.15	Scale 1:8	
WWW.TOMBSTONECITY.COM PHONE# (631) 385-9452			TOMBSTONE > QUICK - CHANGE			
AP130100				Edition A	Sheet 1/1	