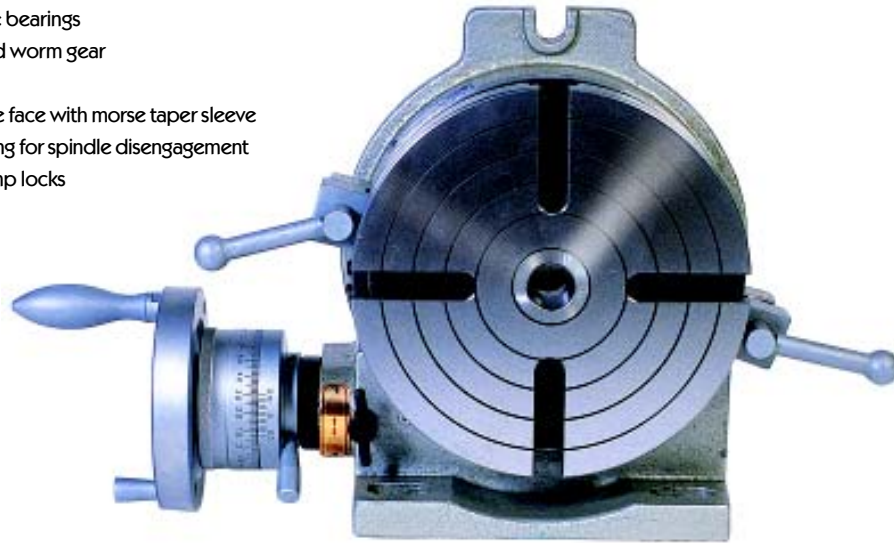


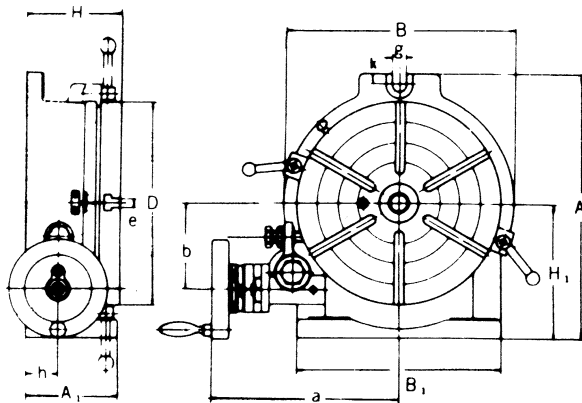
STANDARD TYPE HORIZONTAL / VERTICAL ROTARY TABLES

FEATURES:

- ▶ High density Meehanite casting
- ▶ Tapered roller spindle bearings
- ▶ Hardened and ground worm gear
- ▶ 10 second vernier
- ▶ Precision ground table face with morse taper sleeve
- ▶ Eccentric worm housing for spindle disengagement
- ▶ Heavy duty table clamp locks



595-048



599-301

Inch/(mm)

PART #	DESCRIPTION
599-006	Dividing plates for 595-046
599-008	Dividing plates for 595-048
599-012	Dividing plates for 595-050/052
599-300	Tailstock for 595-046
599-301	Tailstock for 595-048/050
599-311	Tailstock for 595-052

TESTING OBJECTIVE	VARIATION inch/(mm)
Flatness of table surface	0.0006 (0.015)
Parallelism of table surface to base	0.0008 (0.02)
Squareness of table surface to angle face	0.0008 (0.02)
True running of table surface	0.0006 (0.015)
True running of center hole	0.0008 (0.02)
Positioning accuracy	45 seconds

MODEL NUMBER	TABLE DIMENSIONS			BASE DIMENSIONS			WIDTH OF T-SLOT		BOLT SLOTS	CENTER SLEEVE	NET WEIGHT lbs/(kg)
	Outer Diameter		Height	H1	A	B	e	# Slots			
	A1	D	H								
595-046	3.07 (78)	5.91 (150)	3.15 (80)	3.94 (100)	7.87 (200)	6.30 (160)	0.43 (11)	4	0.59 (15)	MT-2	26.4 (12)
595-048	3.94 (100)	7.87 (200)	4.13 (105)	5.31 (135)	10.43 (265)	8.66 (220)	0.55 (14)	4	0.67 (17)	MT-3	66.1 (30)
595-050	4.33 (110)	9.84 (250)	4.53 (115)	6.50 (165)	12.80 (325)	11.02 (280)	0.55 (14)	6	0.67 (17)	MT-3	99 (45)
595-052	5.12 (130)	11.81 (300)	5.31 (135)	7.68 (195)	15.28 (388)	12.99 (330)	0.63 (16)	6	0.71 (18)	MT-4	187 (85)
595-054	5.12 (130)	13.78 (350)	5.51 (140)	9.06 (230)	17.72 (450)	14.96 (380)	0.63 (16)	6	0.71 (18)	MT-4	220 (100)
595-055	5.90 (150)	15.98 (406)	6.10 (155)	10.03 (255)	19.69 (500)	16.93 (430)	0.63 (16)	6	0.71 (18)	MT-4	297 (135)