



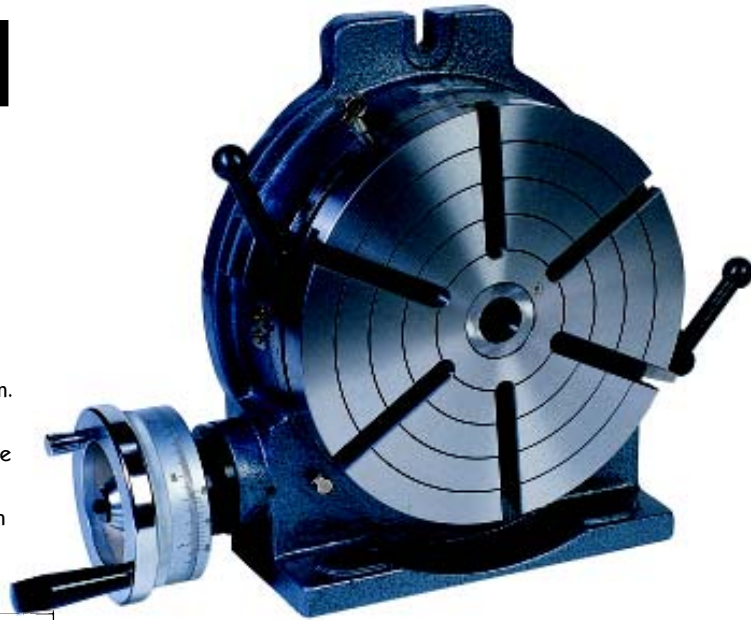
HORIZONTAL / VERTICAL PRECISION ROTARY TABLES

550 Series

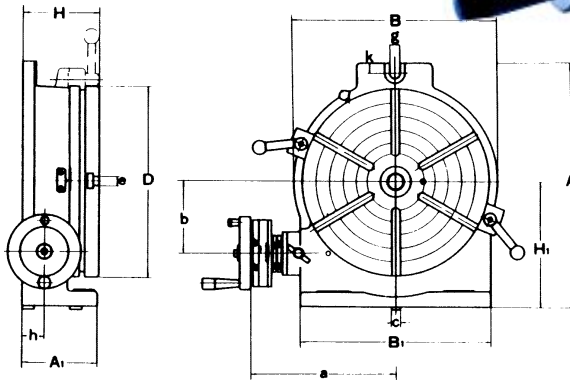
2 YEAR WARRANTY

FEATURES:

- ▶ Works as an index center in the vertical position as well as a conventional rotary table for circular cutting, angle setting, boring and spot facing
10 second vernier reading
- ▶ Disengageable worm gear permits free table rotation. Worm shaft is hardened and ground
- ▶ Optional dividing plates and crank handle can be attached to the rotary table drive mechanism. One rotation of handle equals 4°
- ▶ The table is made of Meehanite. The base of the body, table surface and the rotating parts are finished ground, permitting very smooth rotation



550-050



Inch/(mm)



SPECIFICATIONS	MAXIMUM VARIATION
Clamping surface flatness (concave)	0.0006 (0.015)
Cylindrical center bore concentricity	0.0008 (0.02)
Surface to base parallelism	0.0008 (0.02)
Surface to angle face squareness	0.0004 (0.01)
Surface to center slot squareness	0.0008 (0.02)
ACCURACY	
550-046, 550-048	1 minute 20 seconds
550-050, 550-052, 550-054, 550-055	45 seconds
550-056	40 seconds

OPTIONAL DIVISION PLATES	
MODEL	DESCRIPTION
550-100	for 6" tables (A,B,C,D plates)
550-111	for 8", 10", 12", 14" tables (A,B plates)
550-111-4H	for 16", 20" tables (A,B plates)

MODEL	TABLE		BASE DIMENSIONS				DISTANCE OF HANDLE FROM CENTER			GUIDE BLOCK	T-SLOT		BOLT SLOTS		TABLE CENTER SHAFT SLEEVE	WORM RATIO	GRADUATION OF MICRO-COLLAR	GRADUATION OF VERNIER HANDLE	WEIGHT lbs./(kg)	
	Diameter	Face height	Center height	at vertical position	at horizontal position	a	b	h	c	e	No.	g	k							
550-046	5.91 (150)	3.15 (80)	3.94 (100)	7.87 (200)	6.30 (160)	3.07 (78)	5.91 (150)	5.43 (138)	2.13 (54)	1.10 (28)	0.55 (14)	0.39 (10)	6	0.59 (15)	0.39 (10)	MT-2	90:1	1"	10"	24.2 (11)
550-048	7.87 (200)	4.13 (105)	5.31 (135)	10.43 (265)	8.66 (220)	4.06 (103)	7.87 (200)	7.24 (184)	3.35 (85)	1.42 (36)	0.63 (16)	0.47 (12)	6	0.67 (17)	0.39 (10)	MT-3	90:1	1"	10"	61.6 (28)
550-050	9.84 (250)	4.53 (115)	6.50 (165)	12.80 (325)	11.02 (280)	4.45 (113)	9.84 (250)	8.03 (204)	4.13 (105)	1.52 (38.5)	0.63 (16)	0.47 (12)	6	0.67 (17)	0.59 (15)	MT-3	90:1	1"	10"	96.8 (44)
550-052	11.81 (300)	5.31 (135)	7.68 (195)	15.28 (388)	12.99 (330)	5.24 (133)	11.81 (300)	9.61 (244)	4.65 (118)	1.81 (46)	0.63 (16)	0.55 (14)	6	0.71 (18)	0.63 (16)	MT-4	90:1	1"	10"	147.4 (67)
550-054	13.78 (350)	5.51 (140)	9.06 (230)	17.72 (450)	14.96 (380)	5.43 (138)	13.78 (350)	10.59 (269)	5.20 (132)	1.85 (47)	0.63 (16)	0.55 (14)	6	0.71 (18)	0.71 (18)	MT-4	90:1	1"	10"	206.8 (94)
550-055	15.75 (400)	6.30 (160)	10.04 (255)	19.69 (500)	16.93 (430)	6.18 (157)	15.75 (400)	12.44 (316)	6.30 (160)	2.26 (57.5)	0.63 (16)	0.63 (16)	6	0.71 (18)	0.59 (15)	MT-5	90:1	1"	10"	297.0 (135)
550-056	19.69 (500)	6.89 (175)	11.81 (300)	23.62 (600)	21.26 (540)	6.81 (173)	19.69 (500)	13.03 (331)	7.20 (183)	2.48 (63)	0.63 (16)	0.79 (20)	6	0.87 (22)	0.59 (15)	MT-6	90:1	1"	10"	484.0 (220)